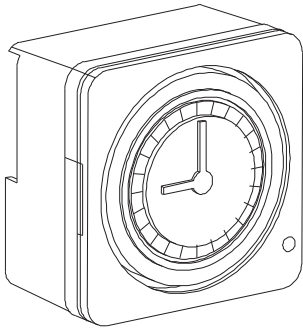


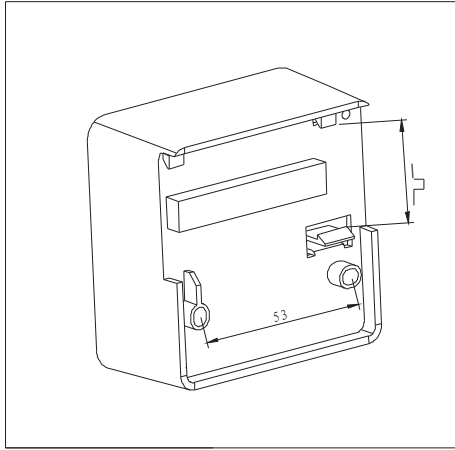
User instructions

AH711

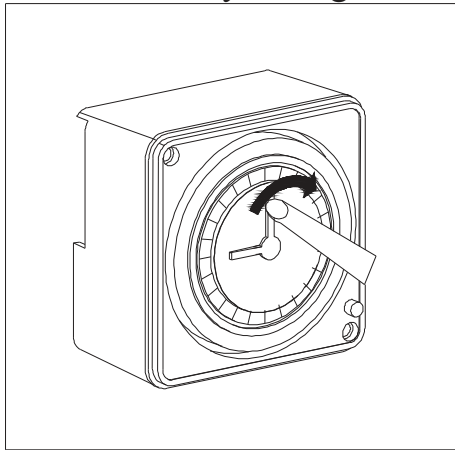
Time switch



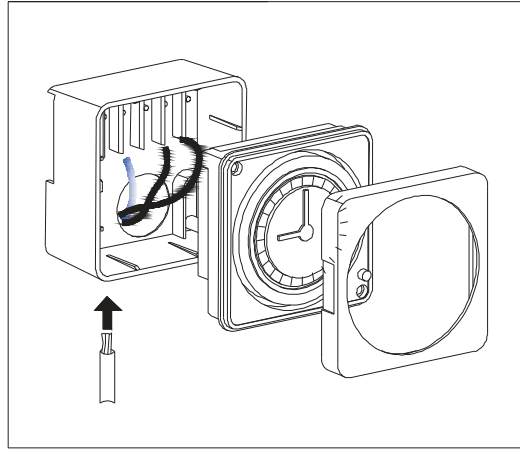
Fixing



Time/day setting

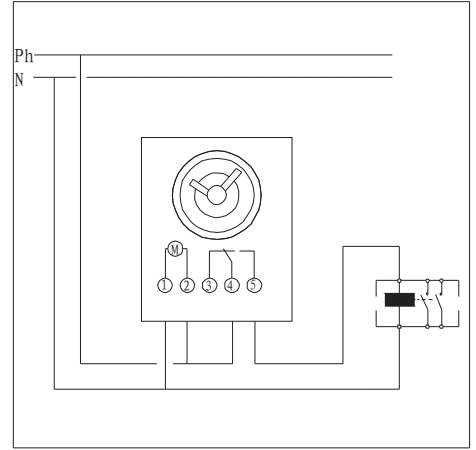


Switching dial



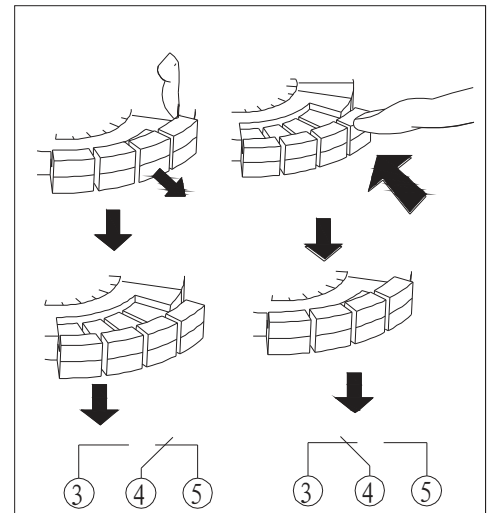
AH711	
Min. interval between two actions	20'

Connection

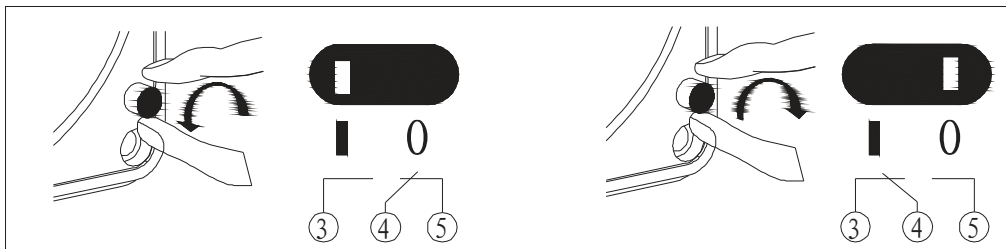


1 changeover switch μ 10A
 250V ~ AC13A 250V inductive load
 $\cos \phi = 0.6$ 1000 Wincandescent lighting

Programming



Manual override: switch back to automatic mode at the next switching action.



Technical specifications

supply voltage:	220V ~ +10/-15% 50/60 HZ
technology:	quartz, without supply failure reserve at 20 °C : 72h after being conneced for 120h
cycle:	24 hours
consumption:	0.5VA
working accuracy:	± 1 sec/day
working temperature:	-10 °C to +50 °C
storage temperature :	-20 °C to +55 °C
connection capacity:	1 to 6mm ²