

# Time switch

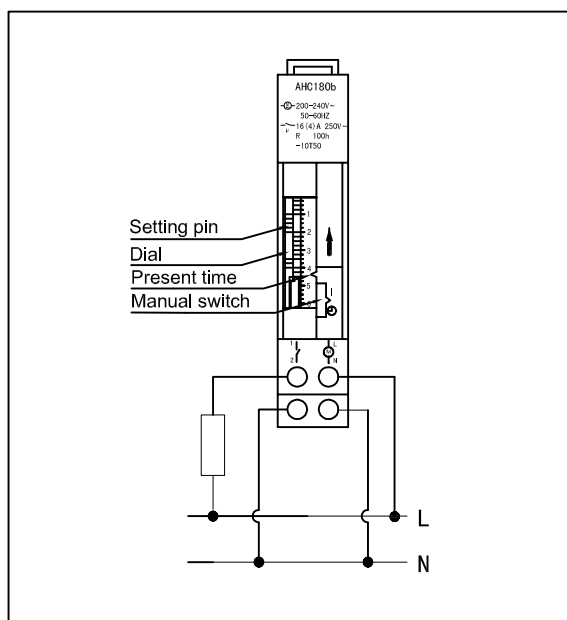
## Operating Instructions

**Be careful:** Please confirm the power before wiring terminal and terminal load position. If the wiring error the internal contact melting.

Dial is absolutely irreversible ( according to the direction of the arrow, the direction of rotation is absolutely irreversible) .

Motor load more than 750W ( 110V) , 1500W ( 220V) must be used with the electromagnetic switch.

### ■ CONNECTION EXAMPLE



### ■ SPECIFICATIONS

Rated voltage	110VAC ,220VAC	
Voltage tolerance	90-121VAC ,200-264VAC	
Frequency	50Hz/60Hz ( common use)	
Drive method	Quartz controlled stepping motor	
Time precision	±3Sec/day at 22 ℃	
Cycle	24 hours	
Power consumption	1W	
Working reserve time	100 Hours	
Circuit	Separate circuit ( voltage is not applied to the load circuit)	
Load Capacity	Switch construction	SPST
	Auto ON/OFF	ON/AUTO switch
	Resistive load	15A
	Incandescent lamp	1000W
	Inductive (COSΦ=0.6)	4A
	Energy saving lamps	150W
Setting	ON/OFF program setting	15 Minutes
	Minimum unit	15 Minutes
	Minimum interval	15 Minutes
	No.of ON/OFF operations	96 operations
Ambient temperature	-10℃~+50℃	
Ambient humidity	Max.85%	
Weight	70g	

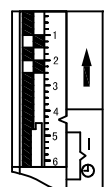
### ■ OPERATING INSTRUCTIONS

• Before turning power ON,check that your unit conforms to the operating voltage.

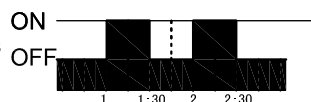
• When you buy this product,the inside battery for a long discharge itself,the power reserve will lower.When the inside battery completely discharge,even if connect and switch on the power source,the product still not working immediately.Then,please connect and switch on the power source,and wait about 10 minutes before set the product present time.The full power reserve is built up after about 100 hours.

#### 1. Set the operating time:

- Set the setting pin between the desired times to the left or right of the Dial.
- Set the setting pin to the left of dial: ON-state is reached at that time.if the setting pin is set to the left continuously,ON-state continues only for NO.of setting pinsX15 minutes.
- Set the setting pin to the left fully until a click is heard.
- If the setting pin is set to the right ,at that time,the output is placed in OFF-state.



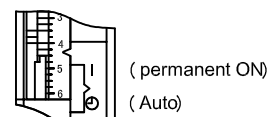
Set the setting pin as shown on the above:the time chart is as right:



#### 2. Adjust the present time:

Turn the dial till the index is on the current time ( Present time) .

#### 3. Set the manual switch:



• "Auto":Output is turned ON and OFF according to the set program.

• Manual "ON":Output is turned ON irrespective of the program. ( permanent ON)  
Use this mode for test operation.

※ After completion of test operation,set the manual switch to "AUTO".