



AHC181d

Analogue daily time switch

The AHC181d daily program analog time switches are programmed using switching segments, it is easy to change the battery. The shortest switching time is 15 minutes. It can switching with continuous ON/AUTO/continuous OFF.

Application

AHC181d fits for the particular use of the following tasks: Billboard or Showcase lighting, Air-condition or Commercial Refrigeration, Pumps/ Motor/ Geyser/Fan Control, Hydroponic Systems, Wastewater Treatment Systems, Generator Exercising, Boilers / Heater Control, Pool & Spa, etc.

Description

| | |
|---|--|
| ● 1 channel | ● Switching preselection |
| ● Daily program | ● Quartz controlled |
| ● Fine adjustment for time setting accurate to the minute | ● Manual switching with continuous ON/AUTO/OFF |
| ● Shortest switching time: 15 minutes | ● Switching status display |
| ● Simple summer/winter time correction | ● Permanent ON/OFF switch |
| ● With power reserve (NiMH replace&rechargeable battery) | |

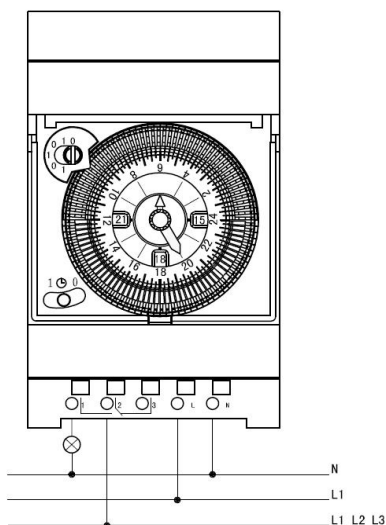
Technical date

| | |
|-------------------------------|--|
| Supply voltage | 230Vac, 50/60Hz other voltages on request |
| Switching capacity | resistive load: 16 A / 250 V \sim at $\cos\phi=1$ |
| | inductive load: 4 A / 250 V \sim at $\cos\phi=0.6$ |
| Number of switching segments | 96 |
| Time accuracy at 25 °C | $\leq \pm 2$ Sek./day (quartz) |
| Power reserve | 7 days |
| Type of contact | changeover contact |
| Type of protection | IP 20 |
| Class of protection | II according to EN 60 730-1 |
| Permitted ambient temperature | -10 \sim +50 °C (non-icing) |
| Test approval | CE |
| Power consumption | 1.5 VA |

Maximum recommended load (10,000 operations)

| Filament / Halogen lamp 230V | LED lamp 230V < 2 W | LED lamp 230V > 2 W |
|------------------------------|---------------------|---------------------|
| 1100 W | 20 W | 180 W |

Wiring diagram



Dimensions

