

AHC3L series

Digital Hour Meter

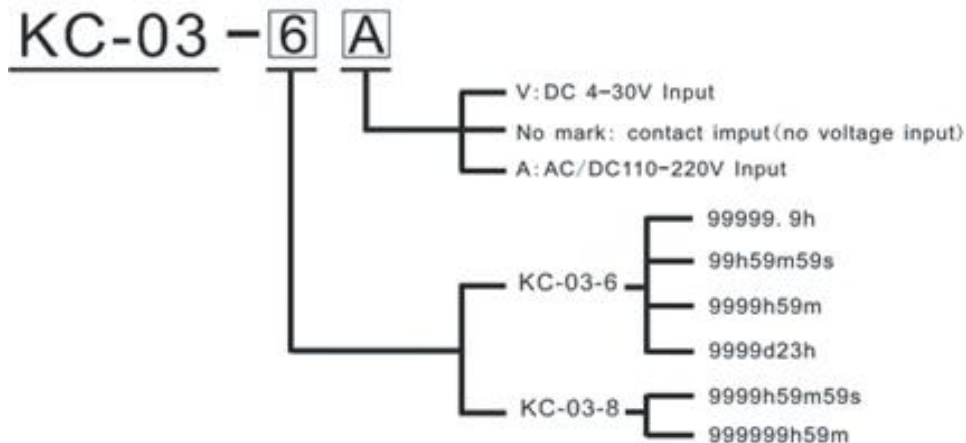


The AHC3L Digital Hour Meter is suitable for recording time for mechanical equipment. Units have a variety of time ranges to choose from.

Description

- LCD display
- Install type: Front panel installation
- DIN 48X24mm MINI SIZE
- Improved noise immunity
- Screw terminal

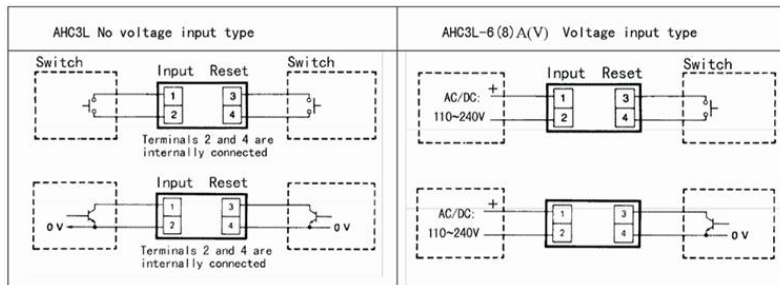
Product selection



Technical date

| | |
|-------------------------|---|
| Supply volatge | Driven by built-in battery |
| Reset type | External reset and manual reset |
| Contact resistance | ≤ 50mΩ |
| No volatge input signal | Short-circuit impedance :10KΩ max |
| | Open impedance :500KΩ min |
| | Short-circuit residual voltage 0.5V max |
| Battery life | ≥6 Years |
| Humidity | 35%~85%RH |
| Opersting temperature | -10~50°C |
| Type of protection | IP 53 |
| Ambient temperature | -10°C~+50°C |
| Reset signal | ≥0.2S |
| Accuracy | 0.02% |

Wiring diagram



Scale drawings

