

# KPHA TRC SR instruction

Please read the instructions carefully before using, in order to correctly use. After reading, please set/steeping.

## Safety precautions

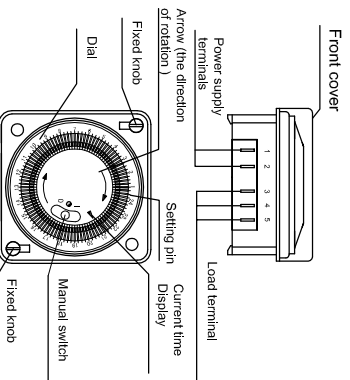
### ⚠ WARNING

- Do not use the time switch in any equipment that supports human death or significant social problems and this switch is easily not intended for such applications.
- If you want to use the time switch in equipment that could cause a financial loss if a failure occurs (such as in heaters and refrigerators), select a model with excess capacity in terms of characteristics and performance, then also take safety measures such as providing duplicate circuits

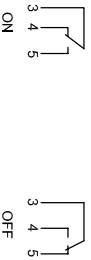
### ⚠ CAUTION

- Do not disassemble or modify the time switch. You may receive an electrical shock, cause a fire or damage the switch.
- Please do not touch the terminal after the power is on. Otherwise there will be the danger of electric shock.
- If it is found that the terminal part of the rating, please as soon as possible replacement of good or you may cause a fire by poor contact
- Do not use the time switch where it might be splashed by water or oil, you may receive an electrical shock, cause a fire, or damage the switch.

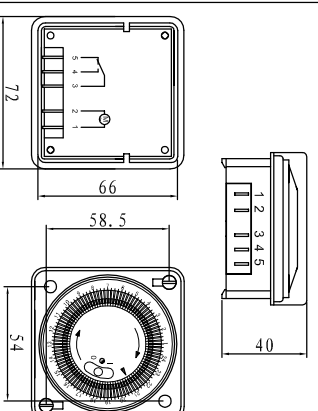
## Names of each parts



### Contact state



## Dimensions (unit:mm)

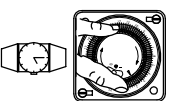


## Specification list

Model	KPHA TRC SR
Working voltage	220VAC 50Hz
Drive Mode	Synchronous motor drive
Time accuracy	Synchronised with mains
Cycle	24 hours
Power consumption	1W
Output contacts	SPDT
Resistance load	15A
Incandescent lamp load	10A
Contact capacity (cos=0.6)	4A
Minimum setting unit	15 minutes
Setting time	15 minutes
NO. of on/off operation	96 operations/day
Ambient operating temperature	-10°C to +50°C
Ambient operating humidity	less than 85%
Weight	100g

## ② Adjusting the current time

- Turn the minute dial the direction shown by the arrow to match the current time.

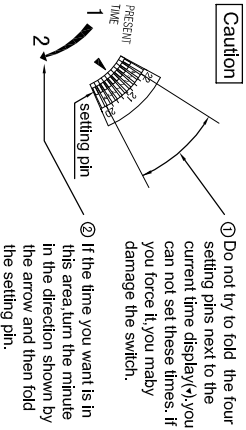


### ⚠ Caution

- Make sure to turn the minute knob only in the direction shown by the arrow. Turning it backward forcibly may damage the switch system.
- When adjusting the current time be careful not confuse AM and PM.

## ① Setting the operating time

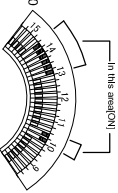
- Fold the setting pin inside(OFF)or outside(ON) at the desired time you want the action to occur.



- Do not try to fold the four setting pins next to the current time display(1)you can not set these times. If you force it,you may damage the switch.
- If the time you want is in this area,turn the minute in the direction shown by the arrow and then fold the setting pin.

### Example

- The setting like this at 10:30 in the morning [ON] at 10:30 in the morning [OFF]
- The setting like this 01:00 in the afternoon [ON] and 2:30 in the afternoon [OFF]



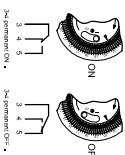
### CAUTION

Please bring hope, time set button successive defeat. Set the button down, be sure to hear "KhaK" the exact sound.

## Setting the manual switch

- Set the manual switch to the 'ON' position.

- The output will be turned on and off at the set times.
- The output will be on, regardless of the settings(continuously ON).
- The output will be off, regardless of the settings(continuously OFF).

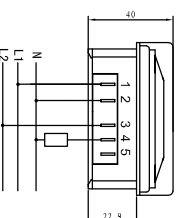


- You can use a manual switch load operation test and please set to "ON" or "OFF" position

Please turn it to 'ON' position after you finished your testing

### CAUTION

## Connection



## How to install

Front panel installation  
Installation type :68x68mm  
Before installing the knob to the level install rotary knob to the vertical fixed  
The mounting panel is less than 4mm

