



ALC18 series

Staircase time switch

The ALC18 series staircase time switches from ALION are available in DIN rail. Its runtime is between 30 seconds and 20 minutes, and it is fitted with electronic overload protection.

Application

ALC18 series fits for the particular use of the following tasks: staircase, corridor as well as lobby, etc.

Description

<ul style="list-style-type: none"> • Din rail staircase time switch 	<ul style="list-style-type: none"> • Toggle switch for permanent light
<ul style="list-style-type: none"> • Countdown period: 30s~20m 	<ul style="list-style-type: none"> • External push switch control
<ul style="list-style-type: none"> • 0~20m: +/- 150s 	<ul style="list-style-type: none"> • 0~30s: +/- 3s
<p>EXTRA FUNCTION for ALC18-E:</p> <ul style="list-style-type: none"> • Input with electronic overload protection • Connected glow lamp in parallel • Glow lamp load : 150mA Max 	

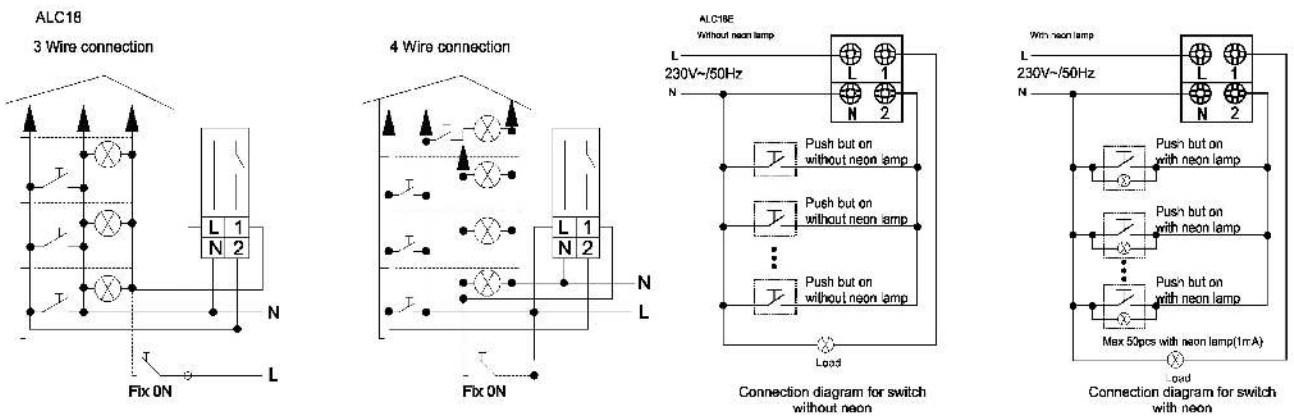
Technical data

Supply voltage	230Vac, 50Hz other voltages on request
Switching capacity (per channel)	resistive load: 16 A / 250 V~ at $\cos\phi=1$
	inductive load: 10 A / 250 V~ at $\cos\phi=0.6$
1/2-way conductors	Automatic
Switching output	Potential-free and phase-independent
Housing and insulation material	High-temperature resistant, self-extinguishing thermoplastic
Consumed power	4VA
Type of protection	IP 20
Class of protection	II according to EN 60 730-1
Permitted ambient temperature	-10 ~ +50 °C (non-icing)
Test approval	CE

Maximum recommended load (10,000 operations)

Incandescent/halogen lamp load 230V	Fluorescent lamp load (conventional) lead-lag circuit	Fluorescent lamp load (conventional) parallel-corrected	Energy saving lamps	LED lamp < 2 W	LED lamp 2-8 W	LED lamp > 8 W	Fluorescent lamp load (electronic ballast)
2300 W	2300 W	400 VA 42 μ F	90 W	20 W	55 W	70 W	350 W

Wiring diagram



Dimensions

