



ATDV series

Multi-range Twin timer

The ATDV series analogue timer is a time-limited type of timer. It has a variety of time setting ranges and voltages you can choose, it is mainly used for equipment control.

Mounting & Socket:

Surface (-N): PF083A(E)/PS-08

Flush (-Y): US-08/P3G-08

Description

- Multi-range analogue timer
- Customized CMOS IC for low power consumption, high operation stability and extreme timing accuracy
- Output Contacts rated 5A at 120/240 VAC and 30 VDC, resistive load.
- Independent adjustment for continuous ON-OFF operation and time
- 16 different time ranges available

Product selection

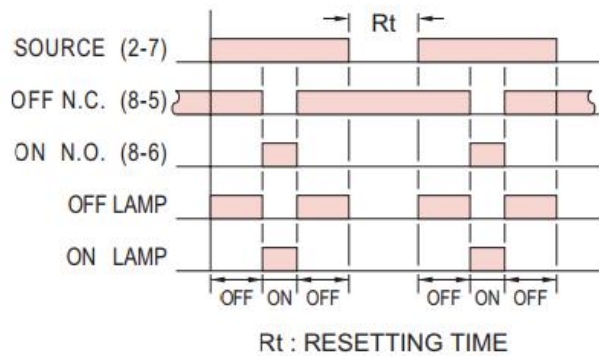
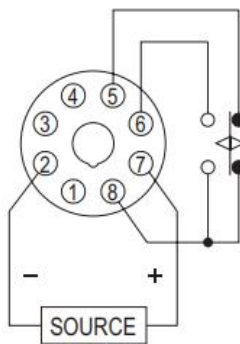
Type	Output contact	Time range	Operation voltage
ATDV-N	1C	6SX6S / 6SX60S / 60SX6S / 60SX60S 6MX6M / 6MX60M / 60MX6M / 60MX60M *Longest setting time is 12 Hours customize available.	DC (V): 12, 24
ATDV-Y			AC (V): 12, 24, 110, 220, 240 50/60Hz Allowable 85~110% of rated operating voltage

Technical data

Indicator operating	ON/OFF Operating
Contact rating	250VAC 5A (resistive load)
Life	Mechanical 5×10 ⁶ times
	Electrical 1×10 ⁵ times

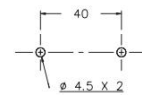
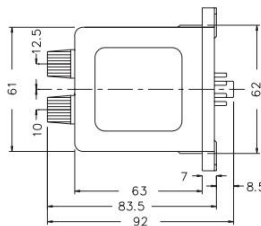
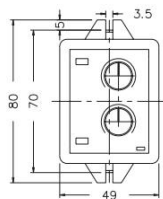
Accuracy	Repeat error	±1.0%max
	Setting error	±10.0%max
	Voltage error	±1.0%max
	Temperature error	±2.0%max
Reset time	Max 0.2sec	
Insulation resistance	100MΩ (DC 500V) min	
Class of protection	1500VAC	
Permitted ambient temperature	-10 ~ +50 °C (non-icing)	
Power consumption	2VA	

Wiring diagram & Timing chart



Dimensions

N type



Y type

