

HM-142 series

Hour meter



The HM-142 hour meter is suitable recording time for mechanical equipment. The time setting range from 0 to 9999.9Hours.

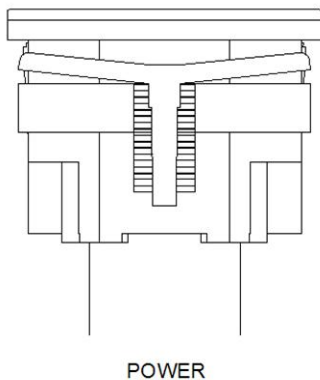
Description

- Progress display
- Installall type: Front panel mounting
- Front plate size: 48×48mm
- Intergrate part size: 46×46mm

Technical date

Operation voltage	10~80 VDC/AC; 100~120 VDC/AC; 200~240 VDC/AC; 100~250 VDC/AC
Rated frequency	50/60Hz
Time range	0~99,999.99 hours
Opersting temperature	-10~50°C
Ambient humidity	48~85%RH

Wiring diagram



Scale drawings

