

SUL181d/SYN161d Analogue daily time switch



The SUL181d/SYN161d daily program analog time switches are programmed using switching segments, it's quickly read and easy to change. The shortest switching time is 15 minutes and it can switching with continuous ON/AUTO/continuous OFF.

Application

SUL181d/SYN161d fits for the particular use of the following tasks: Billboard or Showcase lighting, Air-condition or Commercial Refrigeration, Pumps/ Motor/ Geyser/Fan Control, Hydroponic Systems, Wastewater Treatment Systems, Generator Exercising, Boilers / Heater Control, Pool & Spa, etc.

Description

● 1 channel	● Switching preselection
● Daily program	● Quartz controlled
● Fine adjustment for time setting accurate to the minute	● Manual switching with continuous ON/AUTO/OFF
● Shortest switching time: 15 minutes	● Switching status display
● Simple summer/winter time correction	● Permanent ON/OFF switch
SUL181d: With power reserve (NiMH rechargeable battery) / SYN161d: Without power reserve	

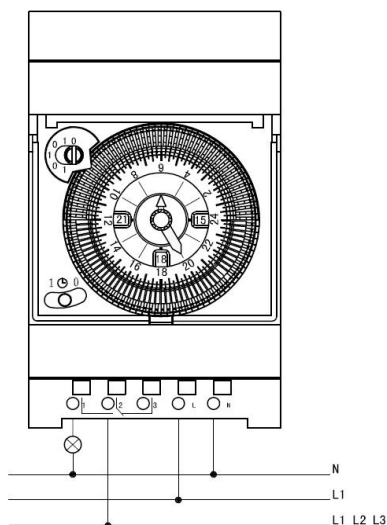
Technical date

Supply voltage	230Vac, 50/60Hz other voltages on request
Switching capacity	resistive load: 16 A / 250 V \sim at $\cos\phi=1$
	inductive load: 4 A / 250 V \sim at $\cos\phi=0.6$
Number of switching segments	96
Time accuracy at 25 °C	$\leq \pm 2$ Sek./day (quartz)
Power reserve	SUL181d: 200 hours approx. 100 hours at 110 V
Type of contact	changeover contact
Type of protection	IP 20
Class of protection	II according to EN 60 730-1
Permitted ambient temperature	-10 \sim +50 °C (non-icing)
Test approval	CE
Power consumption	1.5 VA

Maximum recommended load (10,000 operations)

Filament / Halogen lamp 230V	LED lamp 230V < 2 W	LED lamp 230V > 2 W
1100 W	20 W	180 W

Wiring diagram



Dimensions

