

# TB388 Instruction

Please read the instructions carefully before using, in order to correctly use. After reading, please safekeeping.

## Safety precautions

### WARNING

- Do not use the time switch in any equipment that supports human death or significant social problems and this switch is especially not intended for such applications.
- If you want to use the time switch in equipment that could cause a financial loss if a failure occurs (such as in heaters and refrigerators), select a model with excess capacity in terms of characteristics and performance. Then also take safety measures such as providing duplicate circuits.

### CAUTION

- Do not disassemble or modify the time switch. You may receive an electrical shock, cause a fire, or damage the switch.
- Please do not touch the terminals. After the power is on, otherwise there will be the danger of electric shock.
- If it is found that the terminal part is rusting, please as soon as possible replace it with good or you may cause a fire by poor contact.
- Do not use the time switch where it might be splashed by water or oil. You may receive an electrical shock, cause a fire, or damage the switch.

## ① Setting the operating time

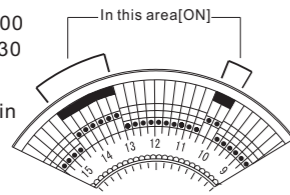
- Fold the setting pin inside (OFF) or outside (ON) at the desired time you want the action to occur.

### Caution

- Do not try to fold the four setting pins next to the current time display (▲). You can not set these times. If you force it, you may damage the switch.
- If the time you want is in this area, turn the minute dial in the direction shown by the arrow and then fold the setting pin.

[Example] This occasion

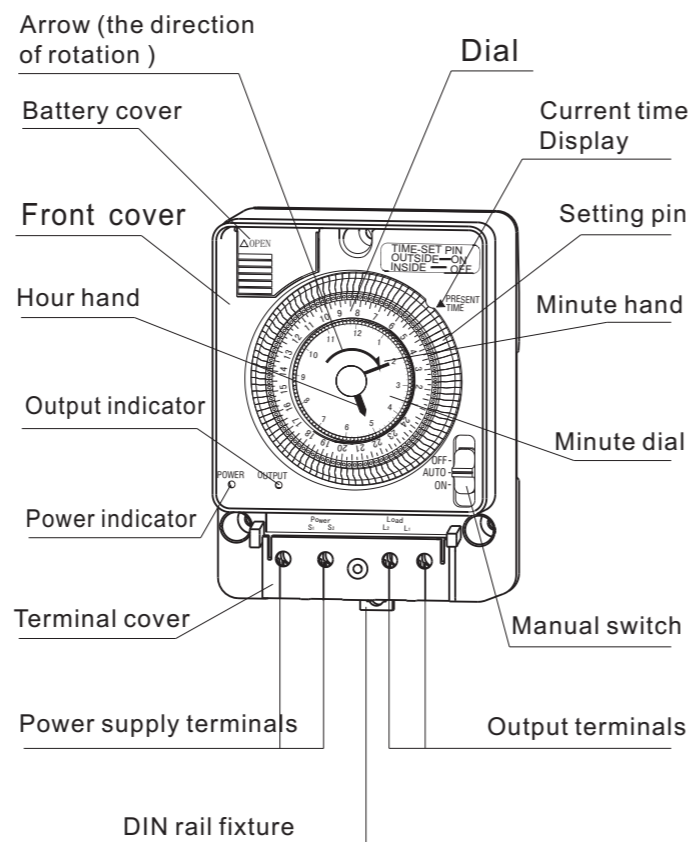
- The setting like this at 10:00 in the morning [ON] at 10:30 in the morning [OFF]
- The setting like this 01:00 in the afternoon [ON] and 2:30 in the afternoon [OFF]



### CAUTION

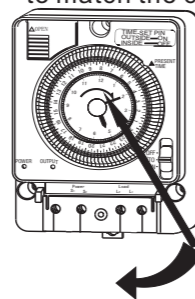
Please bring hope time set button successive defeat. Set the button down, be sure to hear "Khaki" the exact sound.

## Names of each parts



## ② Adjusting the current time

- Turn the minute dial the direction shown by the arrow to match the current time.



### Caution

Make sure to turn the minute hand knob only in the direction shown by the arrow. Turning it backward forcibly may damage the switch. Do not try to turn the dial plate itself. You may cause a malfunction. The dial shows the time using a 24-hour system. When adjusting the current time be careful not to confuse AM and PM.

## Setting the manual switch

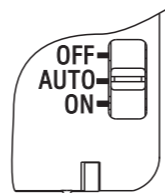
- Set the manual switch to the "AUTO" position.

"AUTO": The output will be turned on and off at the set times.

"ON": The output will be on, regardless of the settings (continuously ON).

"OFF": The output will be off, regardless of the settings (continuously OFF).

- You can use a manual switch load operation test and please set to "ON" or "OFF" position.



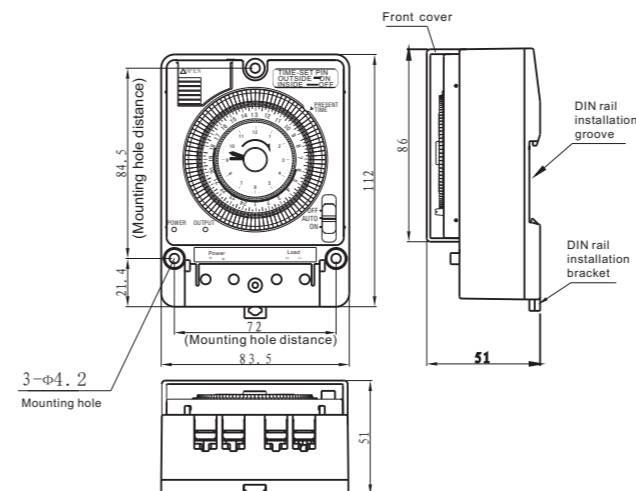
### CAUTION

Please turn it to "AUTO" position after you finished your testing.

## Use matters needing attention

- Proofing time, please be sure to hand in the direction of the arrow. Mandatory rotates in the reverse direction or rotary dial will result in failure.
- In the purchase of the product, the built-in battery for its discharge and power decrease phenomenon. In full discharge of the case, even if the power on, clockwise will immediately stop. At this time, please connect power after its charging 2 to 3 minutes, then prove the time.

## Dimensions (unit:mm)



## About life

Under normal circumstances, the average life expectancy is shown as follows

- Contact switch frequency 50,000 times (impedance load: 250VAC 20A)
- Life time 5 years (temperature 25°C, relative humidity 65%)
- Nickel-cadmium battery 3 years (temperature 25°C, relative humidity 65%)

As long as there is one of the above mentioned reaches its life, please change for a new product.

## When you believe that there is a failure

| Phenomenon   | Cause and countermeasure  |
|--|---|
| Load do not action at the determined time              | The time switch for 24 hours. Perhaps you have fixed morning and afternoon. Please confirm the present moment of the time switch.<br>This is a mechanical time switch. All of this kind of products have around ±3 minutes error when action. |
| Clockwise unnormal                                     | When it happened power outage as exceed block out compensation time (300 hours) clockwise will stop, and the now moment will be deviation. Please collect it to present moment.   |
| Clockwise step running and Electricity lights flashing | Indicated that the nickel-cadmium battery, please entrust it to agents or our company.  |

## Specification list

|                               |   |                         |
|-------------------------------|---|-------------------------|
| Model                         | TB388   |                         |
| working voltage               | 110-240VAC general                                      |                         |
| power frequency               | 50HZ/60HZ general                                       |                         |
| Drive Modle                   | Quartz motor type                                       |                         |
| Blackout compensation         | 300H (operation temperature 20°C)                       |                         |
| Time precision                | Poor reading 30s (operation temperature 25°C)           |                         |
| Action time precision         | ±3 minutes (Not including initial time to adjust error) |                         |
| Cycle                         | 24 hours  |                         |
| Power consumption             | 110VAC1W 220VAC2W                                       |                         |
| Output contacts               | SPST (—/—)  |                         |
| Contact capacity              | Resistance load   | 20A                     |
|                               | Incandescent lamp load                                  | 10A                     |
|                               | Inductive load (cos φ=0.7)                              | 12A                     |
|                               | Motor load (cos φ=0.7)                                  | AC110.750W AC220V.1500W |
| Setting time                  | Minimum setting unit                                    | 15 minutes              |
|                               | Minimum setting   | 15 minutes              |
|                               | NO. of on/off operation                                 | 96 operations/day       |
| Ambient operating temperature | -10°C to +50°C  |                         |
| Ambient operating humidity    | less than 85%   |                         |
| Weight                        | 250g  |                         |

Provide replacement parts (please change for ordering when it is lost or damaged)

| Component name          | Type       | Remarks     |
|-------------------------|------------|-------------|
| Front cover             | TB38801001 | —           |
| Setting pin             | TB38801002 | —           |
| Nickel hydrogen battery | TB38801003 | 1.2V 110mAh |

## About time switch action time precision

The action of time switch time precision is ±3 points. Not including the initial time of adjustment error. Temperature conditions for 25°C situation. Not affected by power frequency variation.