



TBS

Analogue daily time switch

TBS analog time switch is a smaller wall mounting type of time switch, the unit can be mounted in the indoor or outdoor enclosure.

Application

TBS fits for the particular use of the following tasks: Billboard or Showcase lighting, Air-condition or Commercial Refrigeration, Pumps/ Motor/ Geyser/Fan Control, Hydroponic Systems, Wastewater Treatment Systems, Generator Exercising, Boilers / Heater Control, Pool & Spa, etc.

Description

● 1 channel	● Finger-safe terminals
● Daily program	● Quartz controlled
● Shortest switching time: 15 minutes	● Switching status display
● Simple summer/winter time correction	● Clock hands for time display
● With power reserve (Nickel metal hydride battery replacement)	

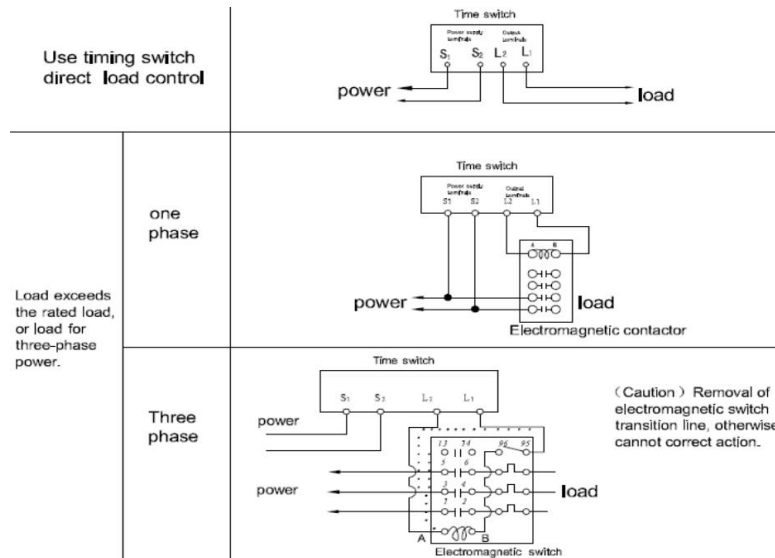
Technical date

Supply voltage	110-230Vac, 50/60Hz
Switching capacity	resistive load: 20 A / 250 V~ at $\cos\phi=1$
	inductive load: 12 A / 250 V~ at $\cos\phi=0.6$
Number of switching segments	96
Time accuracy at 25 °C	$\leq \pm 2$ Sek./day (quartz)
Power reserve	300 hours
Type of contact	Not potential-free
Type of protection	Plastic enclosure with IP20
Class of protection	II according to EN 60 730-1
Housing and insulation material	High-temperature resistant, self-extinguishing thermoplastic
Test approval	CE
Power consumption	3 VA

Maximum recommended load (10,000 operations)

Filament / Halogen lamp	Motor load ($\cos\phi = 0.7$)	Fluorescent lamp load (conventional) parallel-corrected
2300 W	AC110.750W AC220V.1500W	1300VA 70uF

Wiring diagram



Dimensions

